

## ***Quick Lift Jack Stand***

**IMPORTANT!** PLEASE READ THESE INSTRUCTIONS CAREFULLY. NOTE ALL SAFETY INSTRUCTIONS AND WARNINGS. USE THE PRODUCT CORRECTLY AND WITH CARE FOR THE PURPOSE FOR WHICH IT IS INTENDED. FAILURE TO FOLLOW THESE INSTRUCTIONS MAY CAUSE DAMAGE TO PROPERTY AND/OR PERSONAL INJURY.

**PLEASE KEEP THESE INSTRUCTIONS SAFE AND AVAILABLE FOR FUTURE REFERENCE.**

## ***CERTIFICATE OF GUARANTEE***

---

This product is guaranteed for a period of 2 Years, with effect from the date of purchase and applies only to the original purchaser. This guarantee only applies to defects arising from, defective materials and or faulty workmanship that become evident during the guarantee period only and does not include consumable items. The manufacturer will repair or replace the product at their discretion subject to the following. That the product has been used in accordance with the guidelines as detailed in the product manual and that it has not been subjected to misuse, abuse or used for a purpose for which it was not intended. That it has not been taken apart or tampered with in any way whatsoever or has been serviced by unauthorised persons or has been used for hire purposes. Transit damage is excluded from this guarantee, for such damage the transport company is responsible. Claims made under this guarantee must be made in the first instance, directly to the retailer within the guarantee period. Only under exceptional circumstances should the product be returned to the manufacturer. In this case it shall be the consumer's responsibility to return the product at their cost ensuring that the product is adequately packed to prevent transit damage and must be accompanied with a brief description of the fault and a copy of the receipt or other proof of purchase. The manufacturer shall not be liable for any special, exemplary, direct, indirect, incidental, or consequential loss or damage under this guarantee. This guarantee is in addition to and does not affect any rights, which the consumer may have by virtue of the Sale of Goods Act 1973 as amended 1975 and 1999.

## ***INTRODUCTION***

---

Thank you for purchasing this product which has passed through our extensive quality assurance process. Every care has been taken to ensure that it reaches you in perfect condition. However, in the unlikely event that you should experience a problem, or if we can offer any assistance or advice please do not hesitate to contact our customer care department.

### **Safety First**

Before attempting to operate this product the following basic safety precautions should always be taken to reduce the risk of fire, electric shock and personal injury. It is important to read the instruction manual to understand the application, limitations and potential hazards associated with this product.

## ***HELPLINE & SPARE PARTS***

---

In the unlikely event of a defect occurring please contact our Helpline.

Office hours: Monday - Friday 9:00am - 5:00pm. Telephone Number 01332 576 850

## **TECHNICAL SPECIFICATIONS**

---

Description: 2T Quick Lift Jack Stand

Model: SQL2JS

Capacity: 2000kg

Min. Height: 280mm

Max. Height: 410mm

Own weight: ca. 3.8kg/pc

Description: 4T Quick Lift Jack Stand

Model: SQL4JS

Capacity: 4000kg

Min. Height: 340mm

Max. Height: 505mm

Own weight: ca. 5.2kg/pc

## **SAFETY INSTRUCTIONS**

---

### **WARNING!**

1. Read, study and understand the instruction manual and follow all instructions and warnings when operating this device.
2. Do not exceed rated capacity.
3. Use only on hard and level with less than 3 degrees of slope.
4. Centre load on saddle.
5. Use as a matched pair only.
6. Stands are not to be used to simultaneously support both ends of a vehicle.
7. No alterations shall be made to this product.
8. Support only on areas of the vehicle as specified by the vehicle manufacturer.
9. Only attachments and/or adapters supplied by the manufacturer shall be used.
10. Use wheel chocks or other blocking device on opposing wheels before using jack stands.
11. Do not use jack stands for any use other than the manufacturer specified usage.
12. NEVER use jack stands on a lawn mower or lawn tractor.
13. Do not move or dolly the vehicle while on support stands.
14. Do not rock the vehicle while working on or around equipment.
15. The following are not recommended for supporting on this equipment: foundations, homes, mobile homes, trailers, RVs, campers, etc.
16. Ensure the locking device is fully engaged with the column before lowering vehicle onto stands.
17. Carefully lower vehicle onto both stands simultaneously.
18. Failure to heed these markings may result in personal injury and/or property damage.

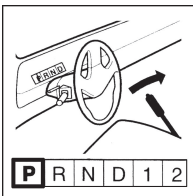
# OPERATION

If the operator is not fluent in English, the product and safety instructions shall be read to and discussed with the operator in the operator's native language by the purchaser/owner, making sure that the operator comprehends their contents.

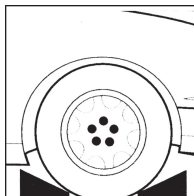
Visual inspection shall be performed before each use of the stand by checking for abnormal conditions, such as cracked welds, leaks, damaged, loose or missing parts. If the stand is believed to have been subjected to abnormal load or shock, inspection shall be made by authorized repair facility.

1. Lift the vehicle to the required height. Place the jack stand(s) beneath the relevant locations to support the vehicle.
2. Unlock the torsion spring and pull out the safety pin. Lift up the handle to allow the ratchet bar to raise up automatically to make contact with the relevant locations to support the vehicle.
3. Slowly lower the vehicle down onto the jack stand(s), make sure the ratchet bar has been fully engaged with the jack stand(s) base.
4. Insert the safety pin and lock with the torsion spring.
5. After completion of the vehicle repair or maintenance, lift the vehicle to the required height, where there is enough space to remove the jack stand(s).
6. Remove the jack stand(s) and slowly lower the vehicle to the ground.
7. Unlock the torsion spring and pull out the safety pin. Lift up the handle and press the ratchet bar down to the minimum height.
8. Insert the safety pin and lock with the torsion spring.
9. Store the jack stand(s) for future use.

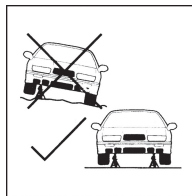
Equipment that appears damaged, worn or operates abnormally shall be removed from service until repair. Repair should be made by an authorised repair facility. Annual inspection of the jack stand(s) is recommended and should be made by the manufacturer's authorised repair facility, to ensure the jack stand(s) remain in optimal condition.



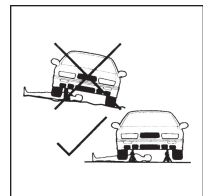
Stop the car



Use wheel chocks to secure the wheel

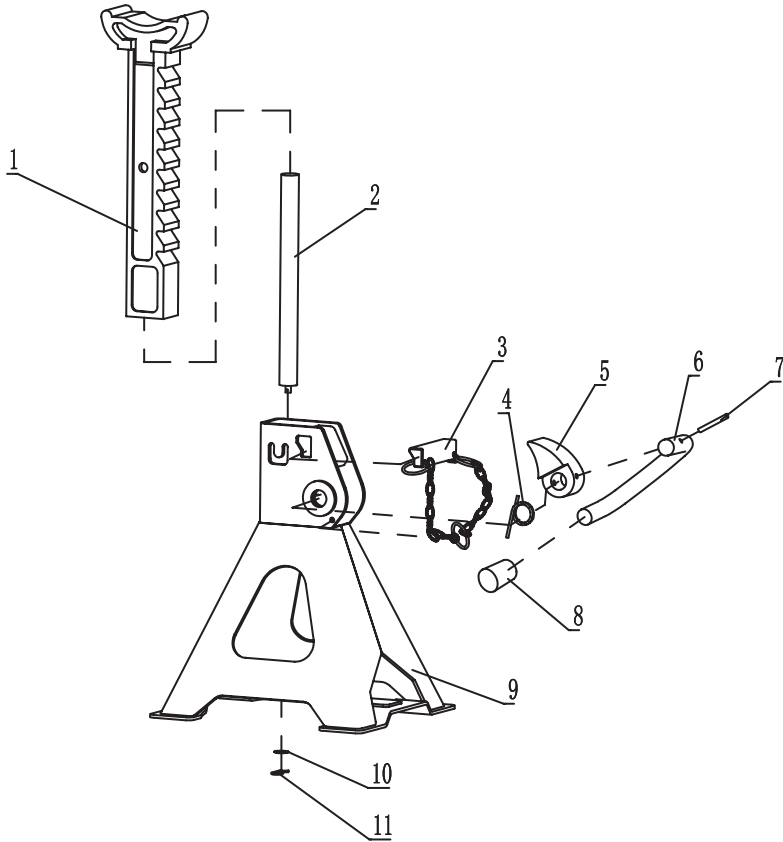


Use the jack stands on even ground



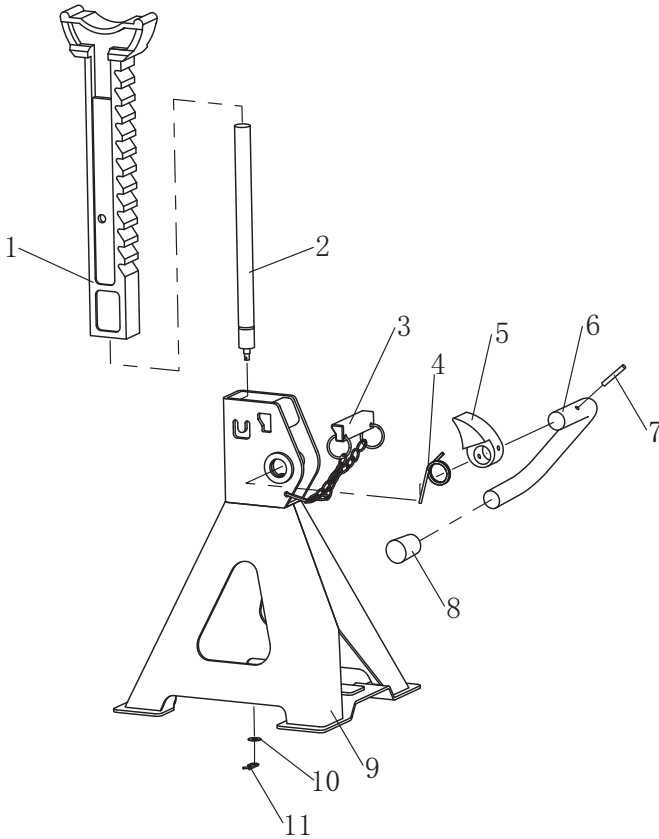
Work under the vehicle with jack stands

# EXPLODED PARTS DIAGRAM-SQL2JS



No.	Description	Qty
1	Ratchet bar	1
2	Pneumatic spring	1
3	Safety pin assembly	1
4	Spring	1
5	Locking pawl	1
6	Locking handle	1
7	Spring pin	1
8	Handle sleeve	1
9	Base frame	1
10	Washer	1
11	R pin	1

# EXPLODED PARTS DIAGRAM-SQL4JS



No.	Description	Qty
1	Ratchet bar	1
2	Pneumatic spring	1
3	Safety pin assembly	1
4	Spring	1
5	Locking pawl	1
6	Locking handle	1
7	Spring pin	1
8	Handle sleeve	1
9	Base frame	1
10	Washer	1
11	R pin	1